

New Delac



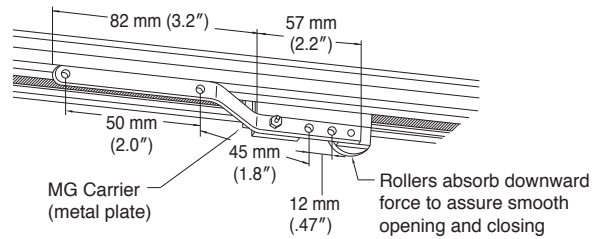
- Multi-purpose rail with a wide range of applications.
- Manual, cord draw and motor operation are possible.
- Exceptional durability satisfying the strict demands of a 10,000 open/close test.
- Can also be used as a hospital partition rail, IV rail and picture rail.

New Delac

New Delac's Unique Features and Applications

Using the Overlap MG Carrier for Hand provides better light shielding.

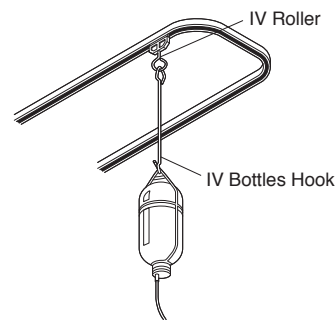
The Overlap MG Carrier effectively prevents unwanted light from streaming into a room. Light is kept out even where the curtains overlap in the middle. And the rollers run very smoothly.



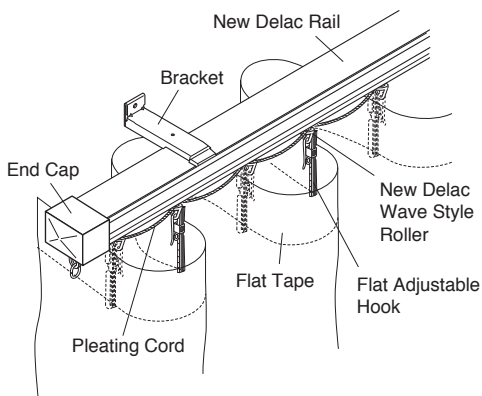
*Perfect light shielding may not be possible depending on the type of window and installation method. Please consult a specialist when designing window covering for a darkroom or photo lab.

Use an IV Roller for an IV Rail.

New Delac's exceptional durability and safety make it ideal for use as an IV Rail in hospitals and other medical institutions. The IV Rollers are also designed to lock under the weight of an IV bottle. And the wheel parts are made of a special resin to effectively reduce sliding noise.



For Wave Style



- The Wave Style creates a feeling of naturally flowing fabric.
- The curtains are draped in gentle waves about 1.5–2.2 times the width of window, resulting in a continuity of pattern and texture.
- There is a natural wave in the curtains at intervals of 80 mm (3.2").
- With its tape and accessories, it creates natural, elegant symmetrical waves.

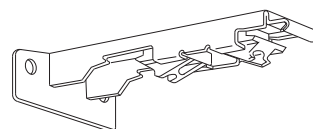
*Pleating cord keeps waves evenly shaped, making the curtain rich and stylish.

*For more details about Wave Style, please refer to the catalog "New Delac with Wave Style Components".



NT Bracket convenient when there is insufficient vertical space for installation.

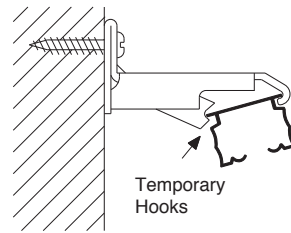
This bracket is convenient when there is insufficient vertical space for bracket installation. It is firmly secured with just two screws.



Brackets with a temporary hook makes installation easier.

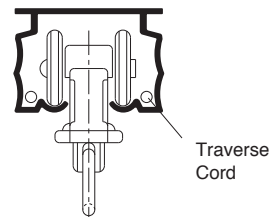
(Excluding Extra Brackets)

This bracket holds a rail while allowing you to adjust a rail position. Once you finish adjusting a position, simply snap the rail into the bracket to secure firmly.



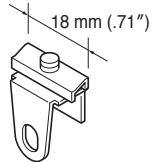
Smooth opening and closing with separate grooves for rollers and traverse cord.

Installation is easy and the cord is located in a groove to prevent it from becoming entangled with the rollers. The smooth-running rollers also assure easy opening and closing.

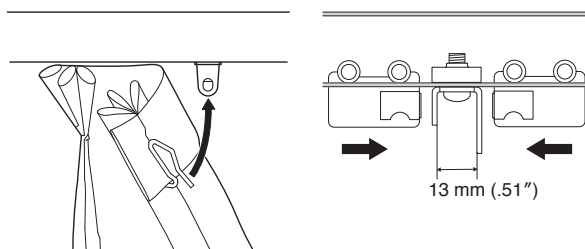


Partitioning is flexible, by using the Last-in Intermediate Stop

Last-in Intermediate Stop is usable both fix and open/close the curtain.



Last-in Intermediate Stop



Curtain hook is fixed by turning the hole toward the front.

When the hole is turned sideways, MG Carrier can be attracted.

Can also be used with a Curtain Motor. (Powerful Series)

Exceptionally convenient for opening and closing wide curtains, curtains installed in a high location, and heavy curtains.

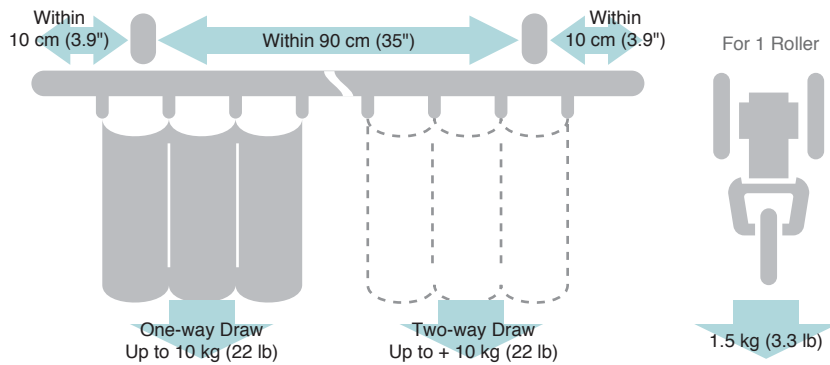


Materials and Finishes

Parts	Material	Finish
Rail	Aluminum alloy extrusion material	Alumite
		Alumite umber
		Alumite black
		Alumite white
		Alumite warm white

Parts	Material	Finish
Roller	Plate	Hard polyethylene
	Wheel	Hard polyethylene
	Oval ring	Stainless steel
End Cap	Body	Nylon
	Oval ring	Stainless steel
Bracket	Body	Steel
	Hook	Acetal resin

Bracket Installation Interval and Allowable Curtain Load

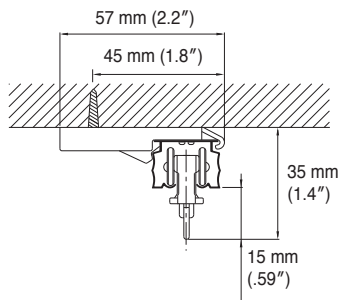


Installation Dimensions

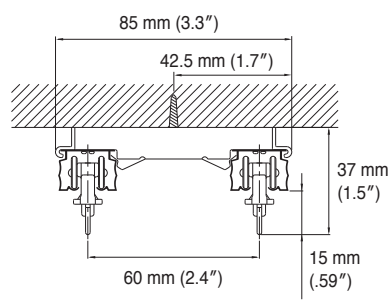
Ceiling Attachment

Direct attachment

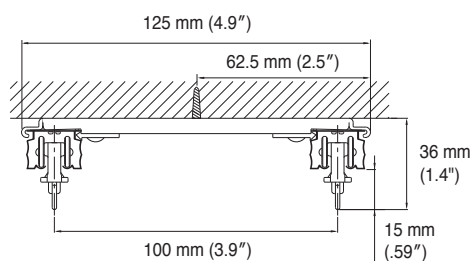
Ceiling Single Bracket
Bracket width = 18 mm (.71")



Ceiling Double Bracket
Bracket width = 18 mm (.71")



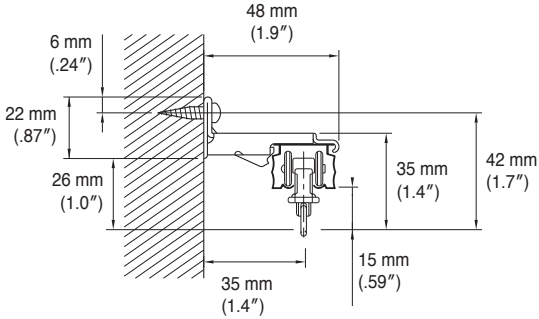
Extra Ceiling Double Bracket
Bracket width = 23 mm (.91")



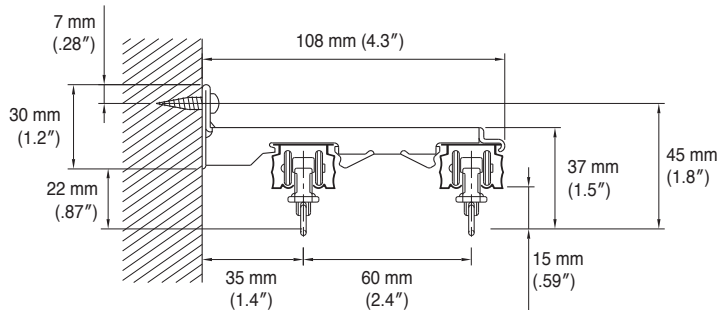
Installation Dimensions

Wall Attachment

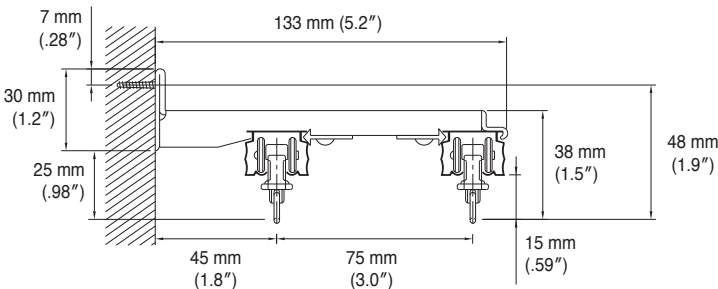
Single Bracket
Bracket width = 19 mm (.75")



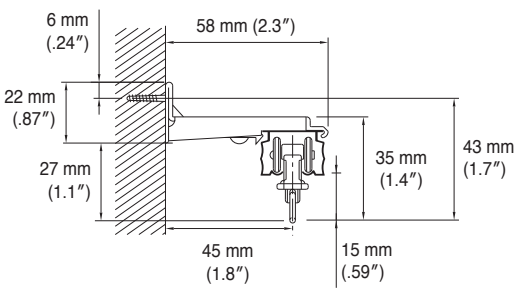
Double Bracket
Bracket width = 19 mm (.75")



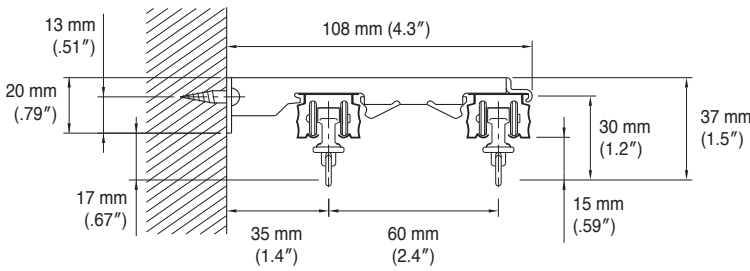
Extra Double Bracket
Bracket width = 25 mm (.98")



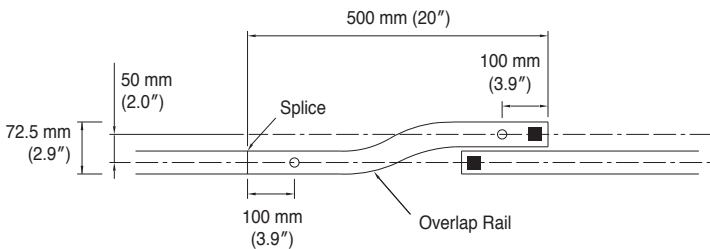
Extra Single Bracket
Bracket width = 24 mm (.94")



NT Double Bracket
Bracket width = 44 mm (1.7")

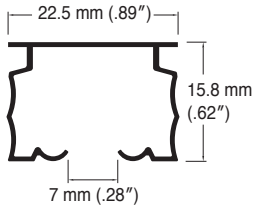


Overlap Rail



New Delac

New Delac Rails



Silver



Umber



Black



White


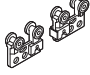


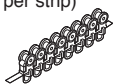
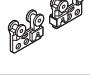
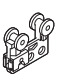

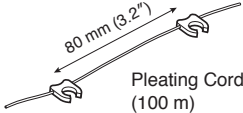

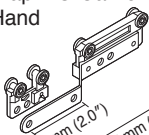


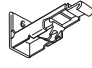
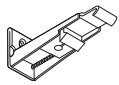
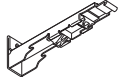
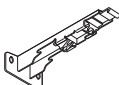
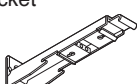
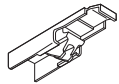
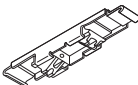
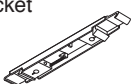
Warm white


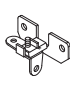







Size	Product Code					
	Silver	Umber	Black	White	Warm white	
1.82 m (72")	00210120	00210036	30010561	00210346	00210226	
2.00 m (79")	00210121	00210038	30010562	00210347	00210227	
2.73 m (107")	00210122	00210039	30010563	00210348	00210228	
3.00 m (118")	00210123	00210040	30010564	00210349	00210229	
3.64 m (143")	00210124	00210047	————	00210350	00210230	
4.00 m (157")	00210125	00210048	————	00210351	00210231	
Curved Rail (180 mmR / 7.1"R)	0.40 m × 0.40 m (16" × 16")	00210126	00210045	30010565	————	00210232
	1.00 m × 1.00 m (39" × 39")	00210035	00210046	30010566	————	00210233
Overlap Rail 0.50 m (20")	00210208	00210043	30010567	————	00210234	

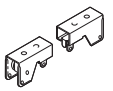
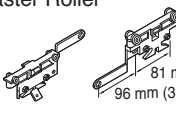
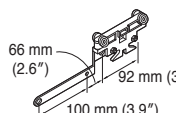
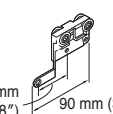



New Delac Parts


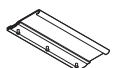


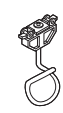
Product Name		Product Code
Roller (8 pieces per strip) 	Natural	00210027
	Umber	00210185
MG Carrier 	Natural	00210054
	Umber	00210186
One-way MG Carrier 	Natural	00210053
	Umber	00210187
NN Roller (for last-in) 		00210008
Noiseless Roller (8 pieces per strip) 	Natural	00210188
	Umber	00210051
Noiseless MG Carrier 	Natural	00210189
	Umber	00210050
Noiseless One-way MG Carrier 	Natural	00210190
	Umber	00210049
New Delac Wave Style Roller Set (100 m)  Roller (1,250 pcs)  80 mm (3.2") Pleating Cord (100 m)		00210355
Soundproof Packing Silence effect improves together it with Noiseless Roller. 		00210023
Overlap MG Carrier for Hand  50 mm (2.0") 147 mm (5.8") (*1)		00210006

Product Name		Product Code
Single Bracket 	Silver	00210213
	Umber	00210214
	Black	30010574
	White	00210324
	Warm white	00210215
Extra Single Bracket 	Silver	00210012
	Umber	00210084
	White	00210328
	Warm white	00210155
Double Bracket 	Silver	00210216
	Umber	00210217
	Black	30010575
	White	00210325
NT Double Bracket 	Silver	00210222
	Umber	00210223
	White	00210352
	Warm white	00210224
Extra Double Bracket 	Silver	00210109
	Umber	00210082
	White	00210329
	Warm white	00210157
Ceiling Single Bracket 	Silver	00210191
	Umber	00210192
	Black	30010576
	White	00210326
Ceiling Double Bracket 	Silver	00210219
	Umber	00210220
	Black	30010577
	White	00210327
Extra Ceiling Double Bracket 	Warm white	00210221
	Silver	00210107
	Umber	00210196
	White	00210353
Warm white	00210197	

Product Name			Product Code
Overhead Hanger 	Silver	00210105	
	Umber	00210198	
	Black	30010578	
	White	00210330	
	Warm white	00210199	
Wall Bracket 	Silver	00210015	
	Umber	00210201	
	Black	30010579	
	White	00210331	
	Warm white	00210202	
End Cap 	Natural	00210010	
	Umber	00210086	
	Black	30010572	
End Stop B 	Natural	00210135	
	Umber	00210137	
	Black	30010573	
	White	00210332	
	Warm white	00210200	
Last-in Intermediate Stop  18 mm (.71")		30009046	
Intermediate Stop 		00210134	
Return Aids for End Stop 		00530063	

*1 For a curved rail, use with a rail with a radius of 240 mm (9.4") or more. A rail with a 180 mm (7.1") radius can not be used.

Product Name		Product Code	
	Silver	00210002	
	Umber	00210081	
	White	00210333	
	Warm white	00210159	
Master Roller 		81 mm (3.2") 96 mm (3.8")	00210262
Long Master Roller 		66 mm (2.6") 92 mm (3.6") 100 mm (3.9")	00210264
One-way Master Roller 		45 mm (1.8") 90 mm (3.5")	00210001
Overlap Cording Parts Kit 			00210225 (*1)
Traverse Cord 2.8 mm DIA.	White	00580009	
Tension Pulley 240 	White	00500005	
	Brown	00500002	
Tension Pulley 450 	Silver	00500007	

Product Name		Product Code	
Splice for Aluminum Rail 		00210128	
OT Splice 	Silver	00210024	
	White	00210323	
Adjustable Hanger Rod A 	A170 (130–170 mm/ 5.1–6.7")	Silver	00290034
		White	00290038
	A250 (170–250 mm/ 6.7–9.8")	Silver	00290036
		White	00290039
	A400 (245–400 mm/ 9.6–16")	Silver	00290017
		White	00290040
	A700 (395–700 mm/ 16–28")	Silver	00290016
		White	00290041
	A1100 (595–1,100 mm/ 23–43")	Silver	00290015
		White	00290042
	A1600 (845–1,600 mm/ 33–63")	Silver	00290014
		White	00290043
Adjustable Hanger Rod B 	B400 (250–400 mm/ 9.8–16")	Umber	00290013
		White	00290026
	B700 (400–700 mm/ 16–28")	Umber	00290012
		White	00290025
IV Roller 		00210052	
Allowable load 10 kg (22 lb)			

*1 Contents of Kit: Overlap Pulley Set (1 set), Pilot Roller (2 pcs), Overlap Bracket (1 pc), Intermediate Stop (4 pcs), Cord Clip (10 pcs)